

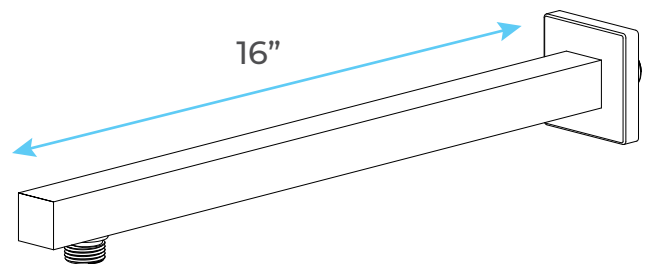
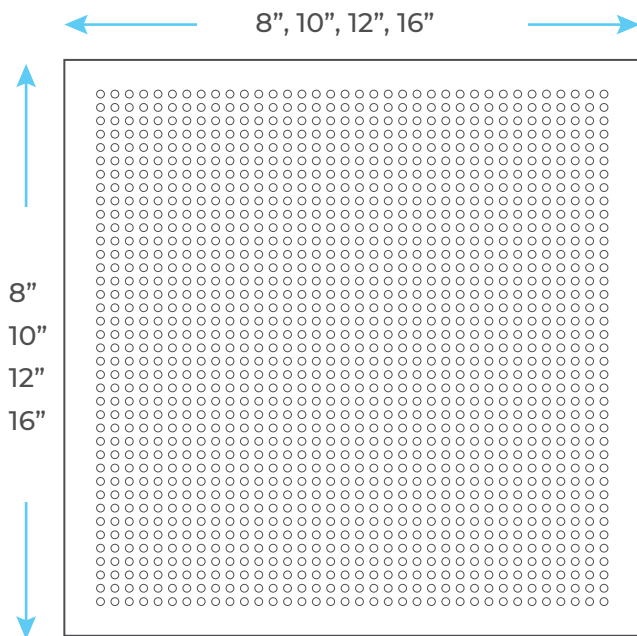
RAMONA LED THERMOSTATIC HIGH PRESSURE BRUSHED NICKEL BATHROOM SHOWER SET SPECS



Specifications

- Brass Valve water pressure balance control
- Standard plumbing connection-Shower panel unit is pre-plumbed
- All functions work independently to ensure the proper water pressure
- Ceramic Disc Technology
- ½" NPT Inlets and outlets compatible with standard US plumbing connections
- Pre-set maximum temperature 104°F
- The recommended pressure for best performance 2 to 75 psi
- The flow rate is 2.5 GPM

Shower Head Size:

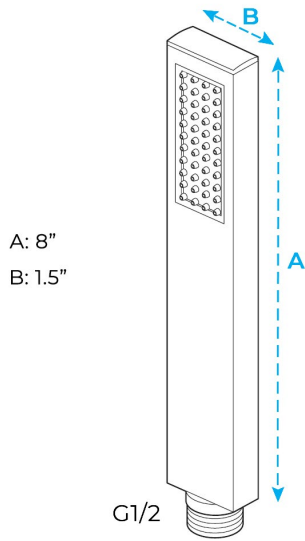


Flow Rate
2.5 GPM / 9.5 LPM (rain Shower);

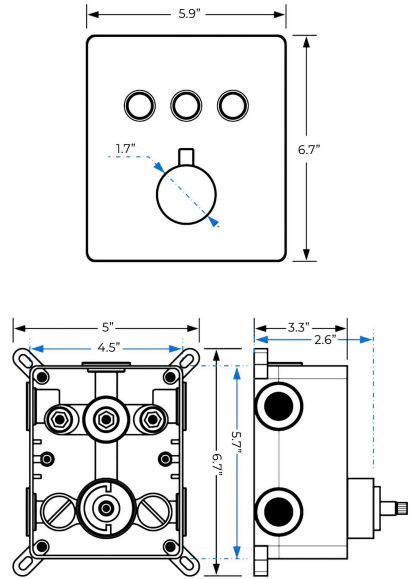
The LED light will change its color by detecting water temperature:
 0-30°C (32-86°F): Blue LED
 30-40°C (86-104°F): Green LED
 40-50°C (104-122°F): Red LED
 50-100°C (122-212°F): Flashing Red LED

Note: The LED lights are powered by water flow, and will be activated once the water is turned on.

Hand Shower Size :



Mixer Connection :



The minimum required water pressure is 0.05 MPa (0.5 bar).
Flow rate 2.5 GPM (9.5 LPM).

Body Jet Size :

